



WINSTAR Display Co.,Ltd.
華凌光電股份有限公司



Winstar Display Co., LTD

華凌光電股份有限公司



WEB: <https://www.winstar.com.tw> E-mail: sales@winstar.com.tw

SPECIFICATION

MODULE NO.: WF40ESWAA6MNN0#

General Specifications

Item	Dimension	Unit
Size	4.0	inch
Dot Matrix	480 × 3(RGB) × 480	dots
Module dimension	78.8(H) × 82.95 (W) × 4.77	mm
Active area	71.856(H) × 70.176 (V)	mm
Dot pitch	0.1497(H) × 0.1462(V)	mm
LCD type	TFT, Normally Black, Transmissive	
View Direction	80/80/80/80	
Aspect Ratio	1:1	
Interface	2-Lanes MIPI	
Driver IC	ST7701S	
Backlight Type	LED, Normally White	
Touch Panel	Without Touch Panel	
Surface	Glare	

*Color tone slight changed by temperature and driving voltage.

Absolute Maximum Ratings

Item	Symbol	Min	Typ	Max	Unit
Operating Temperature	TOP	-30	—	+80	°C
Storage Temperature	TST	-30	—	+80	°C

Electrical Characteristics

Typical Operation Conditions

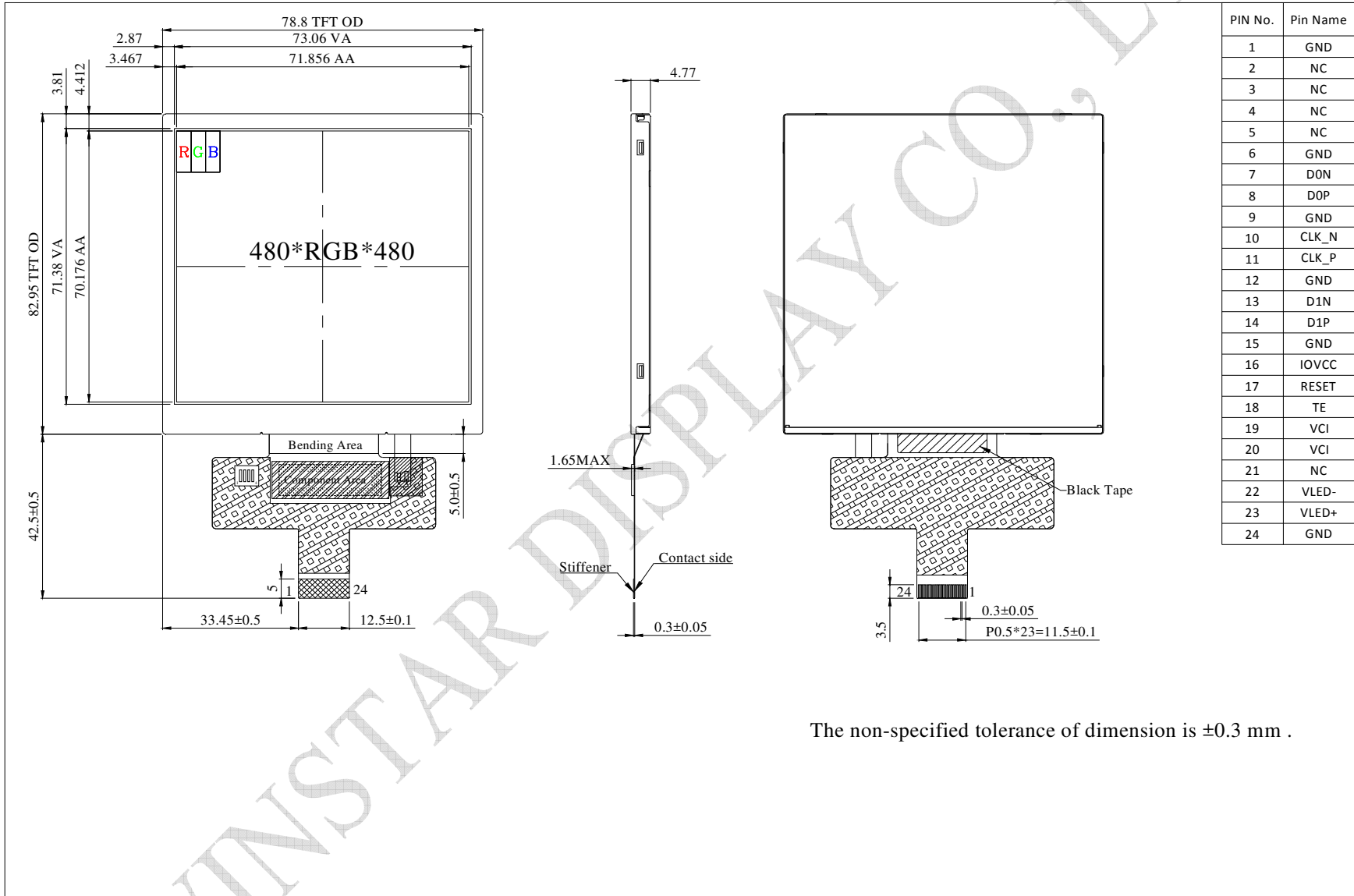
Item	Symbol	Values			Unit
		Min.	Typ.	Max.	
Interface Supply Voltage	VCI	2.5	2.8	3.6	V
Power voltage	IOVCC	1.65	1.8	3.3	V
Current for Driver(White)	I _{VCI}	-	39	58	mA
	I _{IOVCC}	-	11	16.5	mA

Interface

LCM PIN Definition

Pin	Symbol	Function
1	GND	Power ground
2-5	NC	No connect
6	GND	Power ground
7	D0N	MIPI DSI differential data pair (Data lane 0)
8	D0P	
9	GND	Power ground
10	CLK_N	MIPI DSI differential clock pair
11	CLK_P	
12	GND	Power ground
13	D1N	MIPI DSI differential data pair(Data lane 1)
14	D1P	
15	GND	Power ground
16	IOVCC	I/O and interface power supply (1.8V)
17	RESET	Reset input
18	TE	Tearing effect output pin.
19	VCI	Analog power supply
20	VCI	Analog power supply
21	NC	No connect
22	VLED-	Power for LED backlight cathode
23	VLED+	Power for LED backlight anode
24	GND	Power ground

Contour Drawing



The non-specified tolerance of dimension is ±0.3 mm .